

Recess 4.5" JA8 T24 Classic White Wall Wash



Photograph: Jess Ross Photography (non-transferrable)

Recess 4.5 inch JA8 T24 Classic White Wall Wash

Now available with CEC T24 2016/2019 JA8 Compliant features for California-based projects, the Recess 4.5 installs beautifully into all ceiling types, including drywall, stone, and wood and makes every space look its best.

- **Ideal Applications:** Medium to Large-Scaled Spaces
- **Recommended for Ceiling Height:** 14' – 20'
- **Light Type:** Consistent warm or neutral white, soft ambient light



4.5" WALL WASH PERFORMANCE DATA

	Classic White	
Shape	Round	Square
Delivered Lumens:	1250	1100
Lumens Per Watt:	52	45
Source Lumens:	1875	
Wattage	24W	
CCT:	2700K or 3000K	
CRI:	90+	
Beamspread:	Wall Wash Fixed Asymmetric	

Round Trims

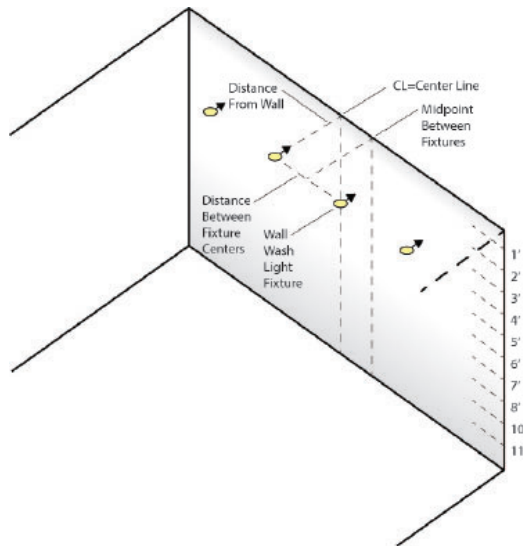


Square Trims



Universal and Field Convertible - Trim | Trimless | Millwork

PHOTOMETRIC DATA



Classic White Wall Wash at 24W												
Multiple Units Footcandles												
From Ceiling	2' From Wall				3' From Wall				4' From Wall			
	2' Centers		3' Centers		3' Centers		4' Centers		4' Centers		5' Centers	
	CL	Mid	CL	Mid	CL	Mid	CL	Mid	CL	Mid	CL	Mid
1'	28	28	21	18	10	9	8	7	4	4	4	3
2'	38	38	28	25	16	15	13	11	8	8	7	6
3'	34	35	24	25	18	18	14	13	9	9	8	7
4'	25	26	19	19	17	17	13	13	10	10	8	8
5'	18	18	14	14	14	14	11	11	10	10	8	8
6'	12	13	20	11	11	12	9	9	9	9	7	8
7'	9	9	8	8	9	9	8	8	8	8	7	7
8'	7	7	6	6	7	7	6	6	7	7	6	6
9'	5	5	5	5	6	6	5	5	6	6	5	5
10'	4	4	4	4	5	5	4	5	5	5	4	4
11'	4	4	3	3	4	4	4	4	4	4	4	4
12'	3	3	3	3	4	4	3	3	4	4	3	3
13'	3	3	3	3	3	3	3	3	3	3	3	3
14'	3	3	3	3	3	3	3	3	3	3	3	3

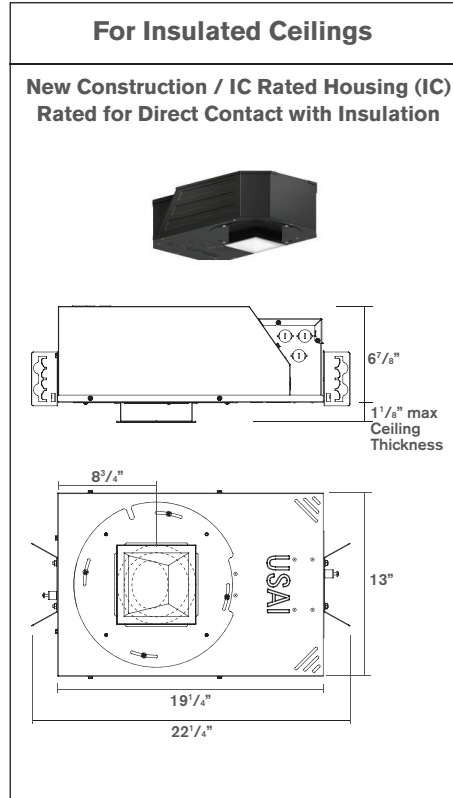
CL= Center Line of Fixture. Mid=Midpoint between two fixtures
= maximum Light Level

Average light levels are provided in the tables above, for a range of lighting fixture layouts and ceiling heights. All illuminance values are reported in average footcandles (fc) and measured at the wall at heights indicated.

Recess 4.5" JA8 T24 Classic White Wall Wash

Five Easy Steps to Specify

1 Select Housing Type



2 Select White Light

Warm White (C27)



2700 Kelvin
Similar to Incandescent

Neutral White (C30)



3000 Kelvin
Similar to Halogen

3 Select Shape

Square



Round



Recess 4.5" JA8 T24 Classic White Wall Wash



4 Select Trim Style For Ceiling Type



5 Select Trim Finish



How to Specify

Manufacturer	Light Fixture Type			LED + Control				Options			Revision
USAI	4DL	W1	IC		IV24A			Y	M		J8
USAI	Family	Function	Housing Type	LED Color	Wattage Driver	Shape	Style	Beam Spread	Lens	Finish	Version
USAI Lighting	4DL 4.5" Downlight, 24W	W1 Fixed Asymmetric Wall Wash	IC New Construction / IC Rated Housing / Airtight	C27 Warm White 2700K High 90+ CRI C30 Neutral White 3000K High 90+ CRI	IV24A Integral 0-10V Dimming Driver, to 1% 120V-277V, 24W	R Round S Square	F Trimmed P Trimless M Millwork	Y Wall Wash	M Multi Diffusion	WH White (provided standard) BL Black BZ Statuary Bronze GR Metalized Grey PR Primer AC Clear Matte Anodized AB Black Anodized	J8

Recess 4.5" JA8 T24 Classic White Wall Wash

RECESS 4.5 SPECIFICATIONS

FIELD REPLACEABLE LED LIGHT ENGINE

is serviceable through the aperture without tools or with a Philips screwdriver. All USAI Lighting Classic White light engines feature industry-leading color consistency.

FIELD REPLACEABLE DRIVER

All integral dimming drivers are located within the fixture housing and are serviceable from below the ceiling through the aperture. Some on-time delay may be experienced depending on control system used. All dimming drivers comply with IEEE C62.41 surge protection.

HOUSING

All Recess 4.5 fixtures are field-flexible which allow for field changes from trimless or millwork to trimmed with a simple components change with parts from USAI. Housings are fabricated of 20 ga. steel construction with thru wire J-box, 4 in 4 out at min. 90°C, #12 AWG thru branch circuit wiring.

ADJUSTMENT

362° horizontal locking in 90° increments.

FIXTURE WEIGHT

IC housings weigh 16 lbs.

CEILING CUT OUT

Trimmed with Overlap Flange Round: 5-1/16" Ø
Trimmed with Overlap Flange Square: 5-1/16" x 5-1/16"
Trimless Spackle-in Round: 5-1/2" Ø
Trimless Spackle-in Square: 5-1/2" x 5-1/2"
Millwork: Knife-edge Round: 4-15/16" Ø
Millwork: Knife-edge Square: 4-15/16" x 4-15/16"

LISTINGS

Dry/Damp/Wet location. AC and AB trim finishes are dry/damp only. CEC / Title 24 2016 JA8 Compliant, see CEC website for exact models included. UL2043 rated for use in air handling plenums. NRTL/CSA-US tested to UL standards. IBEW union made.



NOTES

- Not for use in corrosive environment
- Use of pressure washer voids warranty

PHOTOMETRICS

Consult factory or website for IES files. Tested in accordance with IESNA LM79.