

Recess 4.5" JA8 T24 Warm Glow Dimming Downlight



Photograph: Steve Munding Photography

Recess 4.5 inch JA8 T24 Warm Glow Dimming Downlight

Now available with CEC T24 2016/2019 JA8 Compliant features for California-based projects, with beautiful light that shifts to warm as you dim, the Recess 4.5 installs beautifully into all ceiling types, including drywall, stone, and wood and makes every space look its best.

- **Ideal Applications:** Medium to Large-Scaled Spaces
- **Recommended for Ceiling Height:** 14' – 20'
- **Light Type:** White light that shifts to warm as you dim, indistinguishable from incandescent



4.5" DOWNLIGHT PERFORMANCE DATA

Shape	Warm Glow Dimming	
	Round	Square
Delivered Lumens:	1425	1525
Lumens Per Watt:	47	51
Source Lumens:	1725	
Wattage	32W	
CCT:	3000K dimmable to 2200K	
CRI:	90+	
Beamspread:	50°	
	Wide Beam / Straight Down	

Round Trims

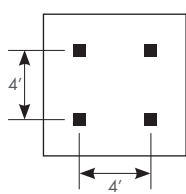


Square Trims



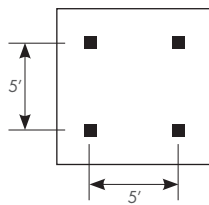
Universal and Field Convertible - Trim | Trimless | Millwork

4' SPACING BETWEEN LIGHT FIXTURES



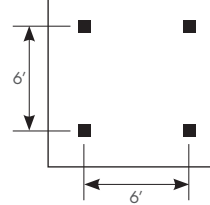
4' x 4' LAYOUT	CEILING HEIGHT
Light levels at:	8' 10' 12' 14' 16' 18' 20'
Light levels on Work Plane (2.5' AFF):	77 68 61 54 49 44 39 (fc) foot candles

5' SPACING BETWEEN LIGHT FIXTURES



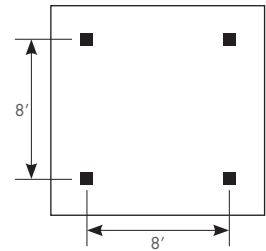
5' x 5' LAYOUT	CEILING HEIGHT
Light levels at:	8' 10' 12' 14' 16' 18' 20'
Light levels on Work Plane (2.5' AFF):	61 55 51 47 43 40 36 (fc) foot candles

6' SPACING BETWEEN LIGHT FIXTURES



6' x 6' LAYOUT	CEILING HEIGHT
Light levels at:	8' 10' 12' 14' 16' 18' 20'
Light levels on Work Plane (2.5' AFF):	44 44 42 40 37 35 32 (fc) foot candles

8' SPACING BETWEEN LIGHT FIXTURES



8' x 8' LAYOUT	CEILING HEIGHT
Light levels at:	8' 10' 12' 14' 16' 18' 20'
Light levels on Work Plane (2.5' AFF):	32 26 23 21 19 17 16 (fc) foot candles

Spacing Criteria = 0.95 for Round, 0.81 for Square

Average light levels are provided in the tables above, for a range of lighting fixture layouts and ceiling heights. All illuminance values are reported in average footcandles (fc) and measured at the workplane, 30" above the floor.

For approximate light level recommendations, please refer to the IES guidelines shown below:

Workshop / Tools / Crafts: 40-100 fc
Board Games / Cards: 20-40 fc
Dining: 5-10 fc

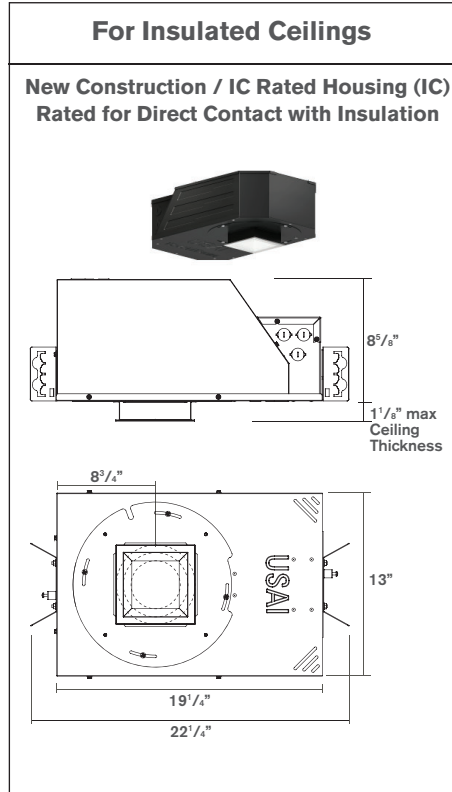
Kitchen: 30-50 fc
Computer: 15-30 fc
Media: 2-20 fc

Reading: 20-50 fc
Dressing: 10-30 fc
Corridors / Circulation: 3-5 fc

Recess 4.5" JA8 T24 Warm Glow Dimming Downlight

Four Easy Steps to Specify

1 Select Housing Type



2 Select Shape

Square



Round



3 Select Trim Style For Ceiling Type

Trimmed (F)
for All Ceiling
Types



Trimless (P)
for Sheetrock Ceilings Only
(Must be Spackled In)



Millwork (M)
for Millwork and
Stone Ceilings



Recess 4.5" T24 T24 Warm Glow Dimming Downlight



4 Select Trim Finish



How to Specify

Manufacturer	Light Fixture Type			LED + Control		Options					Revision
USAI	4DL	D1	IC	WD1	IV32A			I	S		J8
USAI	Family	Function	Housing Type	LED Color	Wattage Driver	Shape	Style	Beam Spread	Lens	Finish	Version
USAI Lighting	4DL 4.5" Downlight, 32W	D1 Fixed Downlight	IC New Construction / IC Rated Housing / Airtight	WD1 Warm Glow Dimming from 3000K, 90+ CRI at 100% output to 2200K at lowest output	IV32A Integral 0-10V Dimming Driver, to 1% 120V-277V, 32W	R Round S Square	F Trimmed P Trimless M Millwork	I 50° Beam	S Solite Textured Glass (provided standard)	WH White (provided standard) BL Black BZ Statuary Bronze GR Metalized Grey PR Primer AC Clear Matte Anodized AB Black Anodized	J8

Recess 4.5" JA8 T24 Warm Glow Dimming Downlight

RECESS 4.5 SPECIFICATIONS

FIELD REPLACEABLE LED LIGHT ENGINE

is serviceable through the aperture without tools or with a Philips screwdriver. All USAI Lighting light engines feature industry-leading color consistency.

FIELD REPLACEABLE DRIVER

All integral dimming drivers are located within the fixture housing and are serviceable from below the ceiling through the aperture. Some on-time delay may be experienced depending on control system used. All dimming drivers comply with IEEE C62.41 surge protection.

HOUSING

All Recess 4.5 fixtures are field-flexible which allow for field changes from trimless or millwork to trimmed with a simple components change with parts from USAI. Housings are fabricated of 20 ga. steel construction with thru wire J-box, 4 in 4 out at min. 90°C, #12 AWG thru branch circuit wiring.

ADJUSTMENT

362° horizontal locking in 90° increments.

FIXTURE WEIGHT

IC housings weigh 16 lbs.

CEILING CUT OUT

Trimmed with Overlap Flange Round: 5-1/16" Ø

Trimmed with Overlap Flange Square: 5-1/16" x 5-1/16"

Trimless Spackle-in Round: 5-1/2" Ø

Trimless Spackle-in Square: 5-1/2" x 5-1/2"

Millwork: Knife-edge Round: 4-15/16" Ø

Millwork: Knife-edge Square: 4-15/16" x 4-15/16"

LISTINGS

Dry/Damp/Wet location. AC and AB trim finishes are dry/damp only. CEC / Title 24 2016 JA8 Compliant, see CEC website for exact models included. UL2043 rated for use in air handling plenums. NRTL/CSA-US tested to UL standards. IBEW union made.



NOTES

- Not for use in corrosive environment
- Use of pressure washer voids warranty

PHOTOMETRICS

Consult factory or website for IES files. Tested in accordance with IESNA LM79.