

# Recess 4.5"

## Classic White Downlight



Photograph: Jess Ross Photography (non-transferrable)

### Recess 4.5 inch Classic White Downlight

An elegant solution for a variety of applications. Featuring clean, architectural grade finishes and two high quality white light options, the Recess 4.5 installs beautifully into all ceiling types, including drywall, stone, and wood and makes every space look its best.

- **Ideal Applications:** Medium to Large-Scaled Spaces
- **Recommended for Ceiling Height:** 14' – 20'
- **Light Type:** Consistent warm or neutral white, soft ambient light

#### 4.5" DOWNLIGHT PERFORMANCE DATA

Classic White		
Shape	Round	Square
Delivered Lumens:	1450	1550
Lumens Per Watt:	60	65
Source Lumens:	1875	
Wattage	24W	
CCT:	2700K or 3000K	
CRI:	90+	
Beamspread:	50°	
	Wide Beam / Straight Down	

#### Round Trims

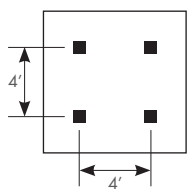


#### Square Trims



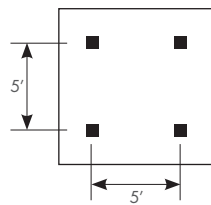
Universal and Field Convertible - Trim | Trimless | Millwork

#### 4' SPACING BETWEEN LIGHT FIXTURES



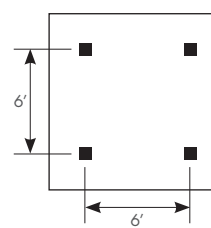
4' x 4' LAYOUT	CEILING HEIGHT
Light levels at:	8' 10' 12' 14' 16' 18' 20'
Light levels on Work Plane (2.5' AFF):	79 70 62 55 49 43 38 (fc) foot candles

#### 5' SPACING BETWEEN LIGHT FIXTURES



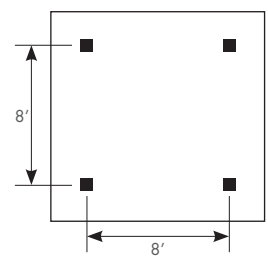
5' x 5' LAYOUT	CEILING HEIGHT
Light levels at:	8' 10' 12' 14' 16' 18' 20'
Light levels on Work Plane (2.5' AFF):	64 58 53 48 43 39 35 (fc) foot candles

#### 6' SPACING BETWEEN LIGHT FIXTURES



6' x 6' LAYOUT	CEILING HEIGHT
Light levels at:	8' 10' 12' 14' 16' 18' 20'
Light levels on Work Plane (2.5' AFF):	48 47 44 41 37 35 32 (fc) foot candles

#### 8' SPACING BETWEEN LIGHT FIXTURES



8' x 8' LAYOUT	CEILING HEIGHT
Light levels at:	8' 10' 12' 14' 16' 18' 20'
Light levels on Work Plane (2.5' AFF):	32 27 24 22 19 18 16 (fc) foot candles

Spacing Criteria = 0.73

Average light levels are provided in the tables above, for a range of lighting fixture layouts and ceiling heights. All illuminance values are reported in average footcandles (fc) and measured at the workplane, 30" above the floor.

For approximate light level recommendations, please refer to the IES guidelines shown below:

**Workshop / Tools / Crafts:** 40-100 fc  
**Board Games / Cards:** 20-40 fc  
**Dining:** 5-10 fc

**Kitchen:** 30-50 fc  
**Computer:** 15-30 fc  
**Media:** 2-20 fc


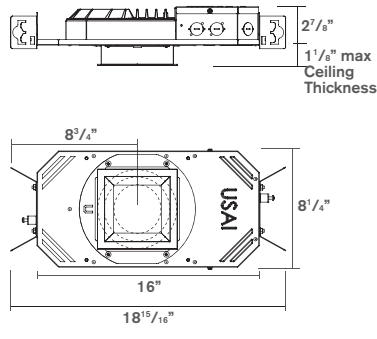

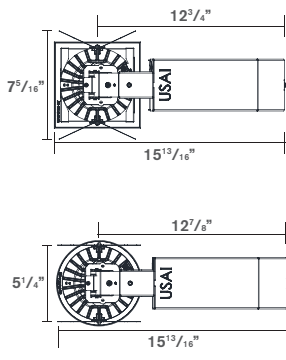
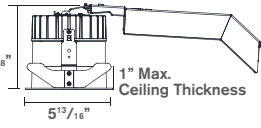

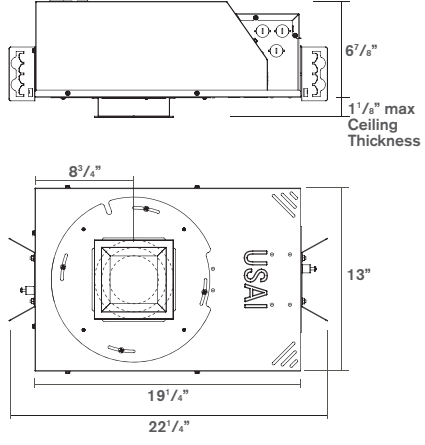
**Reading:** 20-50 fc  
**Dressing:** 10-30 fc  
**Corridors / Circulation:** 3-5 fc

# Recess 4.5" Classic White Downlight



## Seven Easy Steps to Specify


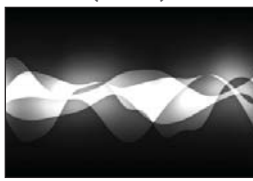
### 1 Select Housing Type

For Ceilings without Insulation		For Insulated Ceilings
<p><b>Flat Low Profile Housing (FT)</b> Smallest Available</p>  	<p><b>Retrofit Housing (RT)</b> Installs From Below in Existing Ceiling</p>   	<p><b>New Construction / IC Rated Housing (IC)</b> Rated for Direct Contact with Insulation</p>  

### 2 Select White Light

<p><b>Warm White (C27)</b></p>  <p>2700 Kelvin Similar to Incandescent</p>	<p><b>Neutral White (C30)</b></p>  <p>3000 Kelvin Similar to Halogen</p>
---	--

### 3 Select Dimming Control Type - Smooth Dimming to 1% Standard

<p><b>0-10V Low Voltage Dimming (IV24A)</b></p>  <p>Compatible with 0-10V Controls</p>	<p><b>Phased Line Voltage Dimming (IP24A)</b></p>  <p>Compatible with Forward and Reverse Phase Dimmers</p>
---	---

# Recess 4.5" Classic White Downlight

## 4 Select Shape

Square



Round



## 5 Select Trim Style For Ceiling Type

Trimmed (F)  
for All Ceiling  
Types



Trimless (P)  
for Sheetrock Ceilings Only  
(Must be Spackled In)



Millwork (M)  
for Millwork and  
Stone Ceilings



## 6 Select Glass Lens

Solite (S)  
provided standard

Light diffusion  
with the most  
efficiency



Frosted (F)

Medium diffusion  
for softer light  
output, approximately  
12% less light output



## 7 Select Trim Finish

White (WH)  
provided standard



Black (BL)



Statuary  
Bronze (BZ)



Metalized  
Grey (GR)



Primer (PR)



Clear Matte  
Anodized (AC)



Black  
Anodized (AB)



See Next Page For How to Specify

# Recess 4.5"

## Classic White Downlight



### How to Specify

Manufacturer	Light Fixture Type			LED + Control			Options				Revision
<b>USAI</b>	<b>4DL</b>	<b>D1</b>						<b>I</b>			<b>00</b>
<b>USAI</b>	<b>Family</b>	<b>Function</b>	<b>Housing Type</b>	<b>LED Color</b>	<b>Wattage Driver</b>	<b>Shape</b>	<b>Style</b>	<b>Beam Spread</b>	<b>Lens</b>	<b>Finish</b>	<b>Version</b>
<b>USAI Lighting</b>	<b>4DL</b> 4.5" Downlight, 24W	<b>D1</b> Fixed Downlight	<b>FT</b> Flat Housing New Construction  <b>IC</b> New Construction / IC Rated Housing / Airtight	<b>C27</b> Warm White 2700K High 90+ CRI  <b>C30</b> Neutral White 3000K High 90+ CRI	<b>IP24A</b> Integral Phase Dimming Driver, to 1% 120V only, 24W  <b>IV24A</b> Integral 0-10V Dimming Driver, to 1% 120V-277V, 24W	<b>R</b> Round  <b>S</b> Square	<b>F</b> Trimmed  <b>P</b> Trimless  <b>M</b> Millwork	<b>I</b>  50° Beam	<b>S</b> Solite Textured Glass (provided standard)  <b>F</b> Frosted Glass	<b>WH</b> White (provided standard)  <b>BL</b> Black  <b>BZ</b> Statuary Bronze  <b>GR</b> Metalized Grey  <b>PR</b> Primer  <b>AC</b> Clear Matte Anodized  <b>AB</b> Black Anodized	<b>00</b>
			<b>RT</b> Trimmed Only Retrofit from below ceiling	<b>C27</b> Warm White 2700K High 90+ CRI  <b>C30</b> Neutral White 3000K High 90+ CRI	<b>IP24A</b> Integral Phase Dimming Driver, to 1% 120V only, 24W  <b>IV24A</b> Integral 0-10V Dimming Driver, to 1% 120V-277V, 24W	<b>R</b> Round  <b>S</b> Square	<b>F</b> Trimmed Only (Retrofit Housing)	<b>I</b>  50° Beam	<b>S</b> Solite Textured Glass (provided standard)  <b>F</b> Frosted Glass	<b>WH</b> White (provided standard)  <b>BL</b> Black  <b>BZ</b> Statuary Bronze  <b>GR</b> Metalized Grey	

# Recess 4.5" Classic White Downlight

## RECESS 4.5 SPECIFICATIONS

### FIELD REPLACEABLE LED LIGHT ENGINE

is serviceable through the aperture without tools or with a Philips screwdriver. All USAI Lighting light engines feature industry-leading color consistency.

### FIELD REPLACEABLE DRIVER

All integral dimming drivers are located within the fixture housing and are serviceable from below the ceiling through the aperture. Some on-time delay may be experienced depending on control system used. All dimming drivers comply with IEEE C62.41 surge protection.

### HOUSING

All Recess 4.5 fixtures are field-flexible which allow for field changes from trimless or millwork to trimmed with a simple components change with parts from USAI. Housings are fabricated of 20 ga. steel construction with thru wire J-box, 4 in 4 out at min. 90°C, #12 AWG thru branch circuit wiring.

### ADJUSTMENT

362° horizontal locking in 90° increments.

### FIXTURE WEIGHT

FT and RT housings weigh 8 lbs. IC housings weigh 16 lbs.

### CEILING CUT OUT

Trimmed with Overlap Flange Round: 5-1/16" Ø  
Trimmed with Overlap Flange Square: 5-1/16" x 5-1/16"  
Trimless Spackle-in Round: 5-1/2" Ø  
Trimless Spackle-in Square: 5-1/2" x 5-1/2"  
Millwork: Knife-edge Round: 4-15/16" Ø  
Millwork: Knife-edge Square: 4-15/16" x 4-15/16"  
Retrofit Round: 5-1/2" Ø  
Retrofit Square: 5-1/2" x 5-1/2"

### LISTINGS

Dry/Damp/Wet location. AC and AB trim finishes are dry/damp only. UL2043 rated for use in air handling plenums. NRTL/CSA-US tested to UL standards. IBEW union made.



### NOTES

- Not for use in corrosive environment
- Use of pressure washer voids warranty

### PHOTOMETRICS

Consult factory or website for IES files. Tested in accordance with IESNA LM79.