

# Recess 3" Warm Glow Dimming Adjustable



Photograph: Steve Munding Photography

## Recess 3 inch Warm Glow Dimming Adjustable

An elegant solution for a variety of applications. Featuring clean, architectural grade finishes and beautiful light that shifts to warm as you dim, the Recess 3 installs beautifully into all ceiling types, including drywall, stone, and wood and makes every space look its best.

- **Ideal Applications:** Small to Medium-Scaled Spaces
- **Recommended for Ceiling Height:** 8' – 14'
- **Light Type:** White light that shifts to warm as you dim, indistinguishable from incandescent

### 3" ADJUSTABLE PERFORMANCE DATA



| Shape             | Round                    | Square |
|-------------------|--------------------------|--------|
| Delivered Lumens: | 625                      | 625    |
| Lumens Per Watt:  | 34                       | 34     |
| Source Lumens:    | 950                      |        |
| Wattage           | 18W                      |        |
| CCT:              | 3000K dimmable to 2200K  |        |
| CRI:              | 90+                      |        |
| Beamspread:       | 30°                      |        |
|                   | Narrow Beam / Adjustable |        |



#### Round Trims

Trimmed

Trimless

Millwork



#### Square Trims

Trimmed

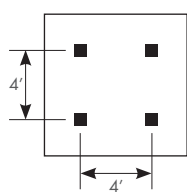
Trimless

Millwork



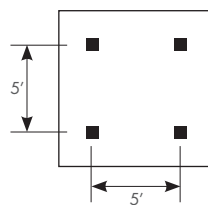
Universal and Field Convertible - Trim | Trimless | Millwork

#### 4' SPACING BETWEEN LIGHT FIXTURES



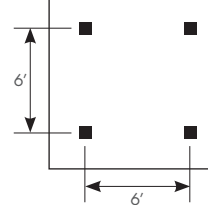
| 4' x 4' LAYOUT                         | CEILING HEIGHT    |     |     |     |
|--|-------------------|-----|-----|-----|
| Light levels at:                       | 8'                | 10' | 12' | 14' |
| Light levels on Work Plane (2.5' AFF): | 40                | 36  | 33  | 30  |
|  | (fc) foot candles |     |     |     |

#### 5' SPACING BETWEEN LIGHT FIXTURES



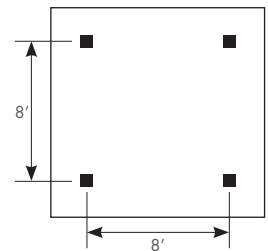
| 5' x 5' LAYOUT                         | CEILING HEIGHT    |     |     |     |
|--|-------------------|-----|-----|-----|
| Light levels at:                       | 8'                | 10' | 12' | 14' |
| Light levels on Work Plane (2.5' AFF): | 33                | 29  | 27  | 25  |
|  | (fc) foot candles |     |     |     |

#### 6' SPACING BETWEEN LIGHT FIXTURES



| 6' x 6' LAYOUT                         | CEILING HEIGHT    |     |     |     |
|--|-------------------|-----|-----|-----|
| Light levels at:                       | 8'                | 10' | 12' | 14' |
| Light levels on Work Plane (2.5' AFF): | 21                | 21  | 21  | 20  |
|  | (fc) foot candles |     |     |     |

#### 8' SPACING BETWEEN LIGHT FIXTURES



| 8' x 8' LAYOUT                         | CEILING HEIGHT    |     |     |     |
|--|-------------------|-----|-----|-----|
| Light levels at:                       | 8'                | 10' | 12' | 14' |
| Light levels on Work Plane (2.5' AFF): | 17                | 14  | 13  | 12  |
|  | (fc) foot candles |     |     |     |

Spacing Criteria = 0.54

Average light levels are provided in the tables above, for a range of lighting fixture layouts and ceiling heights. All illuminance values are reported in average footcandles (fc) and measured at the workplane, 30" above the floor.

For approximate light level recommendations, please refer to the IES guidelines shown below:

**Workshop / Tools / Crafts:** 40-100 fc  
**Board Games / Cards:** 20-40 fc  
**Dining:** 5-10 fc

**Kitchen:** 30-50 fc  
**Computer:** 15-30 fc  
**Media:** 2-20 fc


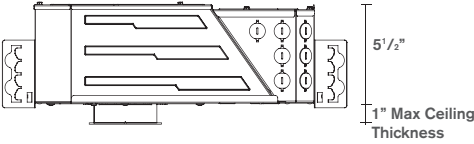
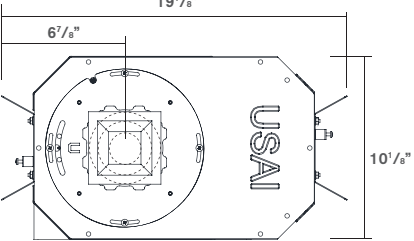

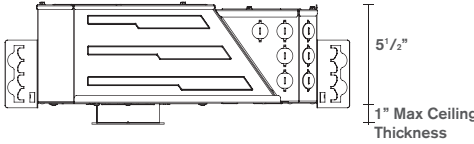
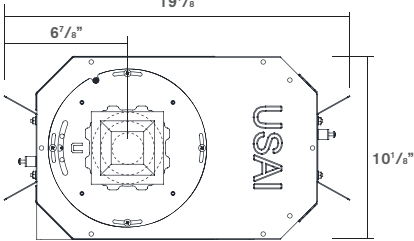
**Reading:** 20-50 fc  
**Dressing:** 10-30 fc  
**Corridors / Circulation:** 3-5 fc

# Recess 3" Warm Glow Dimming Adjustable



## Six Easy Steps to Specify

### 1 Select Housing Type

| For Ceilings without Insulation  | For Insulated Ceilings   |
|--|--|
| <p><b>New Construction (NC)</b></p>    | <p><b>New Construction / IC Rated Housing (IC)<br/>Rated for Direct Contact with Insulation</b></p>    |

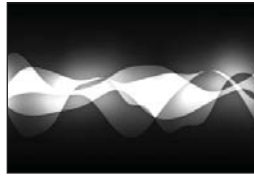
### 2 Select Dimming Control Type - Smooth Dimming to 1% Standard

0-10V Low Voltage Dimming (IV18A)



Compatible with 0-10V Controls

Phased Line Voltage Dimming (IP18A)



Compatible with Forward and Reverse Phase Dimmers

### 3 Select Shape

Square



Round



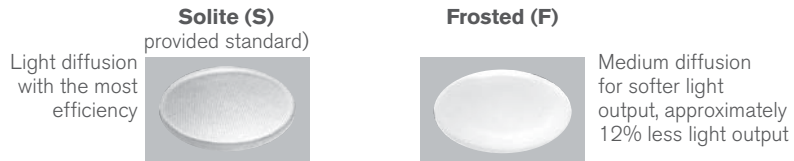
# Recess 3" Warm Glow Dimming Adjustable



## 4 Select Trim Style For Ceiling Type



## 5 Select Glass Lens



## 6 Select Trim Finish



## How to Specify

| Manufacturer         | Light Fixture Type          |   |  | LED + Control  |  |                               | Options  |                    |   |  | Revision       |
|----------------------|-----------------------------|---|--|--|--|-------------------------------|--|--------------------|---|--|----------------|
| USAI                 | 3DL                         | A1  |  | WD1  |  |                               |  | E                  |   |  | 00             |
| <b>USAI</b>          | <b>Family</b>               | <b>Function</b>                               | <b>Housing Type</b>  | <b>LED Color</b>   | <b>Wattage Driver</b>  | <b>Shape</b>                  | <b>Style</b>   | <b>Beam Spread</b> | <b>Lens</b>   | <b>Finish</b>  | <b>Version</b> |
| <b>USAI Lighting</b> | 3DL<br>3" Downlight,<br>18W | A1<br>Adjustable<br>Tilt and Aim<br>Downlight | NC<br>New<br>Construction<br>Housing<br><br>IC<br>New<br>Construction /<br>IC Rated<br>Housing /<br>Airtight | WD1<br>Warm Glow<br>Dimming<br>from<br>3000K,<br>90+ CRI<br>at 100%<br>output to<br>2200K<br>at lowest<br>output | IP18A<br>Integral<br>Phase<br>Dimming<br>Driver, to<br>1%<br>120V only,<br>18W<br><br>IV18A<br>Integral<br>0-10V<br>Dimming<br>Driver, to<br>1%<br>120V-277V,<br>18W | R<br>Round<br><br>S<br>Square | F<br>Trimmed<br><br>P<br>Trimless<br><br>M<br>Millwork | E<br>30° Beam      | S<br>Solite<br>Textured<br>Glass<br>(provided<br>standard)<br><br>F<br>Frosted<br>Glass | WH<br>White (provided<br>standard)<br><br>BL<br>Black<br><br>BZ<br>Statuary<br>Bronze<br><br>GR<br>Metalized Grey<br><br>PR<br>Primer<br><br>AC<br>Clear Matte<br>Anodized<br><br>AB<br>Black Anodized | 00             |

# Recess 3" Warm Glow Dimming Adjustable

## RECESS 3 SPECIFICATIONS

### FIELD REPLACEABLE LED LIGHT ENGINE

is serviceable through the aperture without tools. All USAI Lighting Warm Glow dimming light engines feature industry leading color consistency.

### FIELD REPLACEABLE DRIVER

Driver complies with IEEE62.41 surge protection. Multiple dimming driver options are available; some on-time delay may be experienced, depending on control system used.

### HOUSING:

Fabricated of 20 ga. galvanized steel with thru wire J-box, 4 in 4 out at min. 90°C, #12 AWG thru branch circuit wiring. IC-rated housings for use with 14W light engines only are rated for direct contact with insulation of R-42 or less.

### MOUNTING:

Butterfly brackets and adjustable nailer bars with integral nails provided. Nailer bars are extendible from 14" to 24" centers.

### CEILING CUT OUT:

Round: 3-1/2" Ø

Square: 3-1/2" x 3-1/2"

### LISTINGS:

Dry/Damp. Wet location option available with WH, BL, BZ, GR and PR trims only. NRTL/CSA-US tested to UL standards. IBEW union made.



### NOTES:

- Not for use in corrosive environment.
- Use of pressure washer voids warranty.

### PHOTOMETRICS:

Consult factory or website for IES files. Tested in accordance with IESNA LM79.