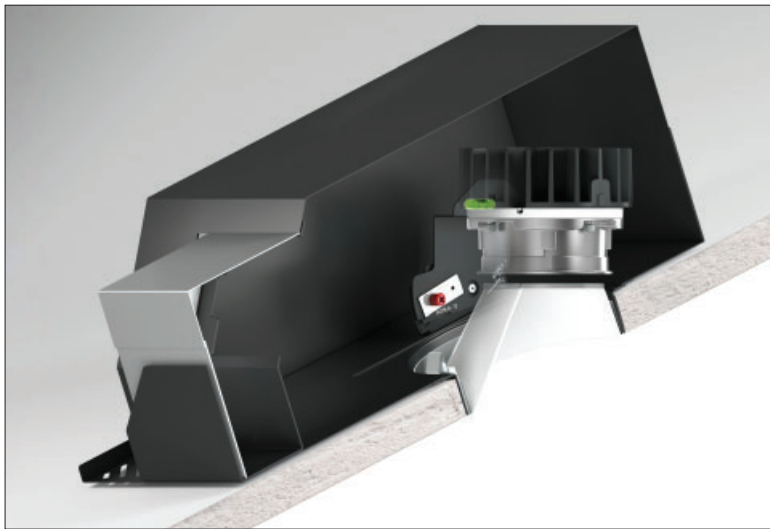


# Recess 3" for Sloped Ceilings

## Classic White Downlight



### Recess 3 inch for Sloped Ceilings

#### Classic White Downlight

An elegant solution for beautiful recessed lighting for sloped ceiling installations up to 45 degrees. Featuring solutions for angles from 15° (3/12 pitch) to 45° (12/12) pitch to create a perfectly round or square roomside appearance to make every space look its best.

- **Ideal Applications:** Small to Medium-Scaled Spaces
- **Recommended for Ceiling Height:** 8' – 14'
- **Light Type:** Consistent warm or neutral white, soft ambient light

#### 3" DOWNLIGHT PERFORMANCE DATA

Shape	Classic White	
	Round	Square
Delivered Lumens:	925	900
Lumens Per Watt:	63	60
Source Lumens:	1325	
Wattage	15W	
CCT:	2700K or 3000K	
CRI:	90+	
Beamspread:	40°	
	Medium Beam / Straight Down	

#### Round Trims

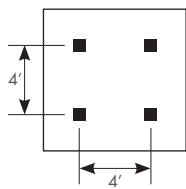


#### Square Trims



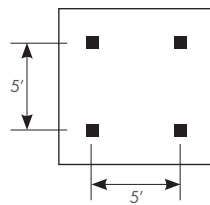
Universal and Field Convertible - Trim | Trimless | Millwork

#### 4' SPACING BETWEEN LIGHT FIXTURES



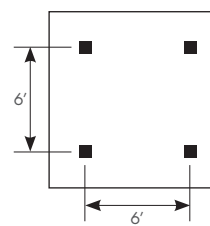
4' x 4' LAYOUT	CEILING HEIGHT
Light levels at:	8' 10' 12' 14'
Light levels on Work Plane (2.5' AFF):	51 46 42 39 (fc) foot candles

#### 5' SPACING BETWEEN LIGHT FIXTURES



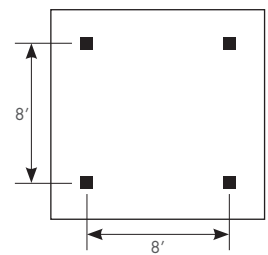
5' x 5' LAYOUT	CEILING HEIGHT
Light levels at:	8' 10' 12' 14'
Light levels on Work Plane (2.5' AFF):	41 37 34 33 (fc) foot candles

#### 6' SPACING BETWEEN LIGHT FIXTURES



6' x 6' LAYOUT	CEILING HEIGHT
Light levels at:	8' 10' 12' 14'
Light levels on Work Plane (2.5' AFF):	28 28 28 27 (fc) foot candles

#### 8' SPACING BETWEEN LIGHT FIXTURES



8' x 8' LAYOUT	CEILING HEIGHT
Light levels at:	8' 10' 12' 14'
Light levels on Work Plane (2.5' AFF):	21 18 16 15 (fc) foot candles

#### Spacing Criteria

15°-30° Sloped Ceiling: Round: 0.65 / Square: 0.76  
 30°-45° Sloped Ceiling: Round: (0-180): 0.58, (90-270) 0.52 / Square: (0-180) .46, (90-270) 0.70

Average light levels are provided in the tables above, for a range of lighting fixture layouts and ceiling heights. All illuminance values are reported in average footcandles (fc) and measured at the workplane, 30" above the floor.

For approximate light level recommendations, please refer to the IES guidelines shown below:

- |   |                           |  |
|---|---------------------------|--|
| <b>Workshop / Tools / Crafts:</b> 40-100 fc | <b>Kitchen:</b> 30-50 fc  | <b>Reading:</b> 20-50 fc               |
| <b>Board Games / Cards:</b> 20-40 fc        | <b>Computer:</b> 15-30 fc | <b>Dressing:</b> 10-30 fc              |
| <b>Dining:</b> 5-10 fc                      | <b>Media:</b> 2-20 fc     | <b>Corridors / Circulation:</b> 3-5 fc |

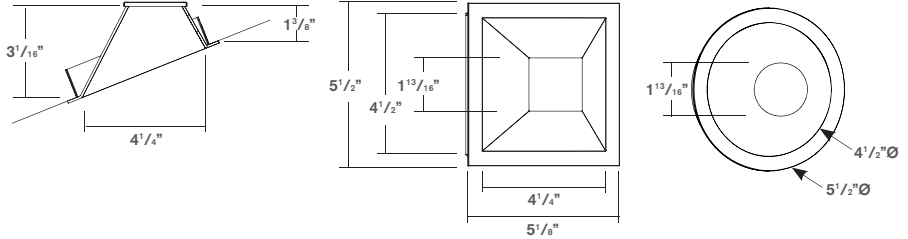
# Recess 3" for Sloped Ceilings Classic White Downlight



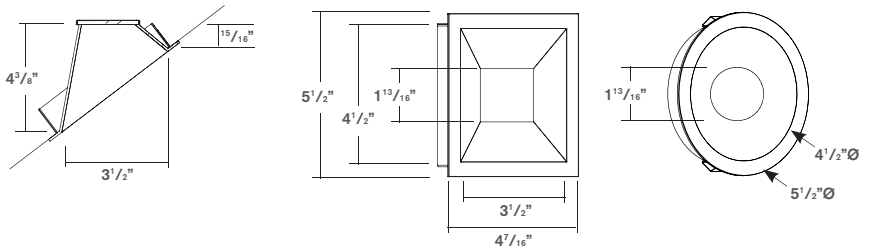
## Eight Easy Steps to Specify

### 1 Select Ceiling Slope

For 15° (3/12) - 30° (7/12) Sloped Ceilings



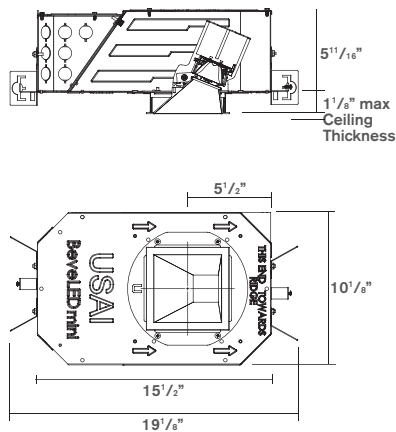
For 30° (7/12) - 45° (12/12) Sloped Ceilings



### 2 Select Housing Type

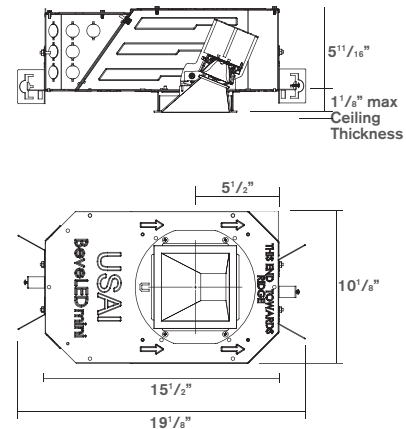
#### For Ceilings without Insulation

New Construction Sloped Housing - NS



#### For Insulated Ceilings

New Construction / IC Rated Housing - (IS)  
Rated for Direct Contact with Insulation



### 3 Select White Light

Warm White (C27)



2700 Kelvin  
Similar to Incandescent

Neutral White (C30)



3000 Kelvin  
Similar to Halogen

# Recess 3" for Sloped Ceilings Classic White Downlight

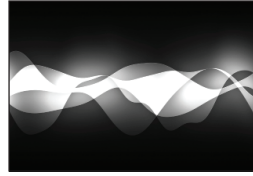
## 4 Select Dimming Control Type - Smooth Dimming to 1% Standard

0-10V Low Voltage Dimming  
(IV15A)



Compatible with 0-10V Controls

Phased Line Voltage Dimming  
(IP15A)



Compatible with Forward and Reverse Phase Dimmers

## 5 Select Shape

Square



Round



## 6 Select Trim Style For Ceiling Type

Trimmed (F)  
for All Ceiling  
Types



Trimless (P)  
for Sheetrock Ceilings Only  
(Must be Spackled In)

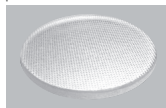


Millwork (M)  
for Millwork and  
Stone Ceilings



## 7 Select Glass Lens

Solite (S)  
provided standard)  
Light diffusion  
with the most  
efficiency



Frosted (F)



Medium diffusion  
for softer light  
output, approximately  
12% less light output

## 8 Select Trim Finish

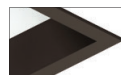
White (WH)  
provided standard



Black (BL)



Statuary  
Bronze (BZ)



Metalized  
Grey (GR)



Primer (PR)



See Next Page For  
How to Specify

# Recess 3" for Sloped Ceilings

## Classic White Downlight for Sloped Ceilings



### How to Specify

Manufacturer	Light Fixture Type			LED + Control			Options			Revision	
USAI	3DL							G			00
USAI	Family	Function	Housing Type	LED Color	Wattage Driver	Shape	Style	Beam Spread	Lens	Finish	Version
USAI Lighting	3DL 3" Downlight, 15W	<b>S3</b> For 15°-30° Sloped Ceilings  <b>S5</b> For 30° -45° Sloped Ceilings	<b>NS</b> New Construction Sloped  <b>IS</b> Insulation Contact Sloped	<b>C27</b> Warm White 2700K High 90+ CRI  <b>C30</b> Neutral White 3000K High 90+ CRI	<b>IP15A</b> Integral Phase Dimming Driver, to 1% 120V only, 15W  <b>IV15A</b> Integral 0-10V Dimming Driver, to 1% 120V-277V, 15W	<b>R</b> Round  <b>S</b> Square	<b>F</b> Trimmed  <b>P</b> Trimless  <b>M</b> Millwork	<b>G</b> 40° Beam	<b>S</b> Solite Textured Glass (provided standard)  <b>F</b> Frosted Glass	<b>WH</b> White (provided standard)  <b>BL</b> Black  <b>BZ</b> Statuary Bronze  <b>GR</b> Metalized Grey  <b>PR</b> Primer	00

# Recess 3" for Sloped Ceilings

## Classic White Downlight for Sloped Ceilings

### RECESS 3 SLOPED SPECIFICATIONS

#### FIELD REPLACEABLE LED LIGHT ENGINE

is serviceable through the aperture without tools. All USAI Lighting Classic White light engines feature industry leading color consistency within a 2-Step MacAdam's ellipse.

#### FIELD REPLACEABLE DRIVER

Driver complies with IEEE62.41 surge protection. Multiple dimming driver options are available; some on-time delay may be experienced, depending on control system used.

#### ADJUSTMENT:

Sloped ceiling housings are fitted with an integral bubble leveling device to ensure perfectly level installations and optical alignment. Optical assembly can be tilted and locked in position for ceiling slopes from 3/12 pitch to 12/12 pitch, which are visually indicated on tilt mechanism. Butterfly brackets are imprinted with ceiling thickness indexing allow installers to easily preset housing prior to installation: choose from ceiling thicknesses of 1/2", 5/8", 3/4", 7/8", 1", or 1-1/8".

#### HOUSING:

Fabricated of 20 ga. galvanized steel with thru wire J-box, 4 in 4 out at min. 90°C, #12 AWG thru branch circuit wiring. IC-rated housings for use with 15W light engines only are rated for direct contact with insulation of R-42 or less.

#### MOUNTING:

Butterfly brackets and adjustable nailer bars with integral nails provided. Nailer bars are extendible from 16" to 24" centers.

#### CEILING CUT OUT:

Round Trimmed: 5-1/16"Ø  
Round Trimless: 5-1/16"Ø  
Round Millwork: 4-15/16"Ø  
Square Trimmed: 5-1/16" X 5-1/16"  
Square Trimless: 5-1/16" X 5-1/16"  
Square Millwork: 4-15/16" X 4-15/16"

#### LISTINGS:

Dry/Damp/Wet location rated. NRTL/CSA-US tested to UL standards. IBEW union made.



#### NOTES:

- Not for use in corrosive environment.
- Use of pressure washer voids warranty.

#### PHOTOMETRICS:

Consult factory or website for IES files. Tested in accordance with IESNA LM79.