

USAI CORE 2 USAI CORE 3 INSTALLATION INSTRUCTIONS NC HOUSING

Required tools:

- #2 Phillips screwdriver



CAUTION READ BEFORE INSTALLATION

READ CAREFULLY BEFORE INSTALLING FIXTURE. RETAIN THESE INSTRUCTIONS FOR FUTURE REFERENCE.

THIS PRODUCT MUST BE INSTALLED BY A PERSON FAMILIAR WITH THE CONSTRUCTION AND OPERATION OF THE PRODUCT AND THE HAZARDS INVOLVED, IN ACCORDANCE WITH THE APPLICABLE NEC CODE.

- Switch off main power before installation or maintaining fixture.
- Fixtures must be installed in applications where the ambient temperature does not exceed 40°C during normal operation.
- **DO NOT** connect or disconnect LED board wire connector when fixture is energized, as this may result in permanent damage to the LED array.
- We will not accept any warranty claims if incorrect driver or light engine is used.

Ceiling Cutout:

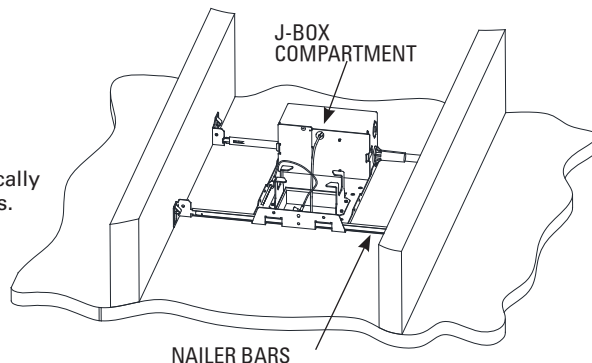
		
Core 2:	Round: 3-5/8"Ø	Square: 3-5/8" x 3-5/8" SQ
Core 3:	Round: 3-5/8"Ø	Square: 3-5/8" x 3-5/8" SQ

HOUSING INSTALLATION:

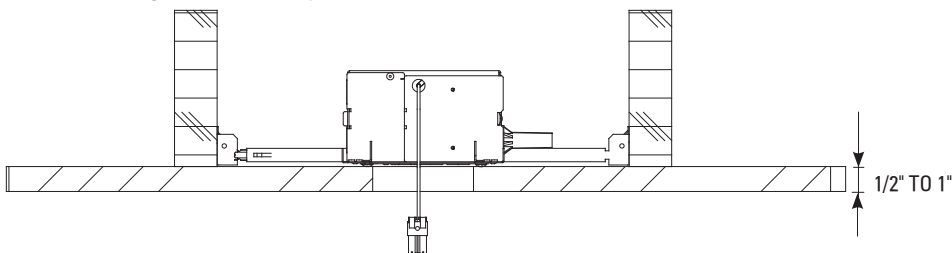
1. Fixture housing mounting may vary by ceiling type:

- Nailer bars are supplied as the standard mounting means and are typically used in drywall applications. These are extendible from 14 - 24" centers.

To install, slide bars through square slots in housing and then lock in position with #8 screw (by others).

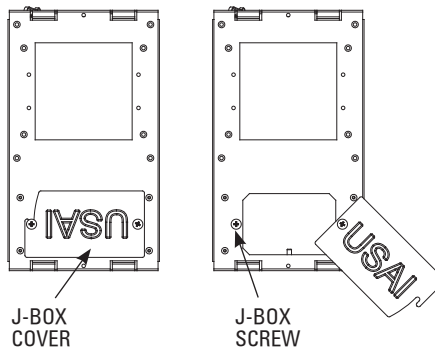


2. Set height of fixture so that the fixture is 1/2"-1" above the room side of ceiling and secure in place.



3. Install power feed through knockouts provided in j-box compartment indicated above.

4. Use Phillips driver to loosen j-box compartment screws and slide cover. Make necessary power supply connections inside and then reinstall j-box cover.



5. Install Trim(See trim installation instruction I2-562).

USAI CORE 2 USAI CORE 3 NC HOUSING SERVICE INSTRUCTIONS

Required tools:

- None

CAUTION READ BEFORE INSTALLATION

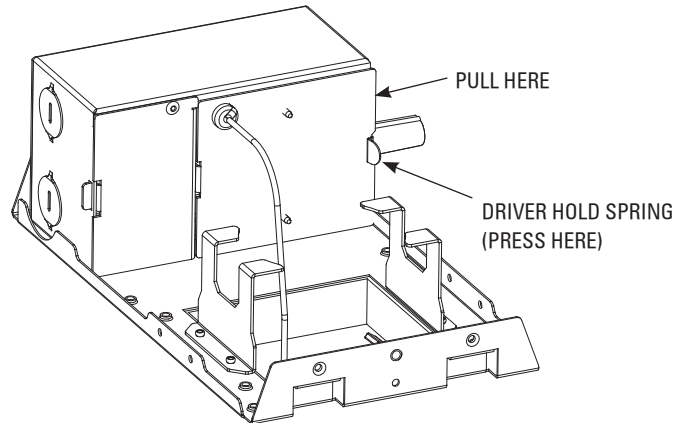
READ CAREFULLY BEFORE INSTALLING FIXTURE. RETAIN THESE INSTRUCTIONS FOR FUTURE REFERENCE.

THIS PRODUCT MUST BE INSTALLED BY A PERSON FAMILIAR WITH THE CONSTRUCTION AND OPERATION OF THE PRODUCT AND THE HAZARDS INVOLVED, IN ACCORDANCE WITH THE APPLICABLE NEC CODE.

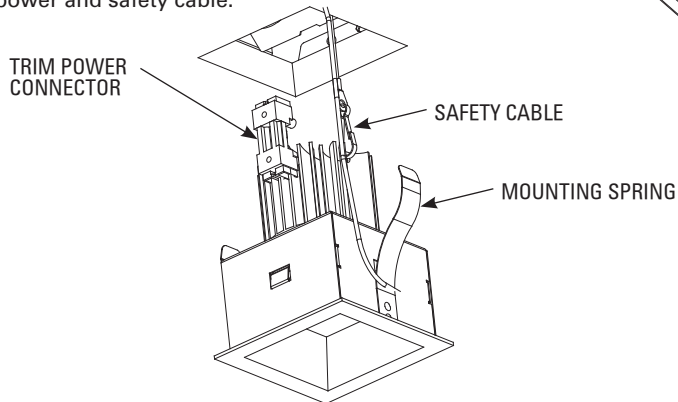
- Switch off main power before installation or maintaining fixture.
- Fixtures must be installed in applications where the ambient temperature does not exceed 40°C during normal operation.
- DO NOT connect or disconnect LED board wire connector when fixture is energized, as this may result in permanent damage to the LED array.
- We will not accept any warranty claims if incorrect driver or light engine is used.

DRIVER REPLACEMENT:

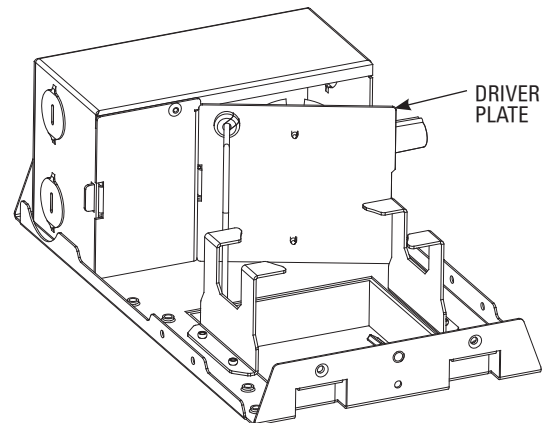
1. Disconnect power to fixture.
2. Pull on flange to remove trim from housing.



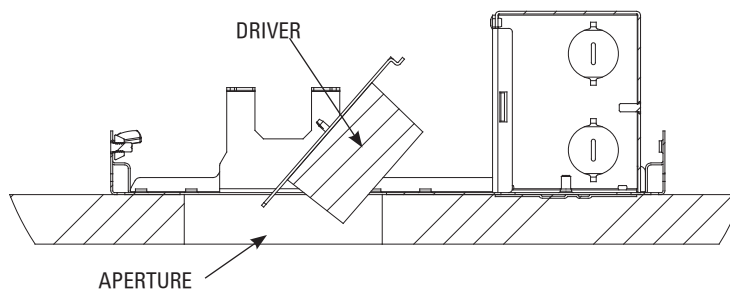
3. Disconnect trim power and safety cable.



4. Reach in and press driver hold spring and pull on driver plate. Pull through aperture.



5. Rotate driver vertically and slide through aperture until wire connectors are exposed. Separate wire connectors and completely remove driver. Connect new driver and install in reverse order.

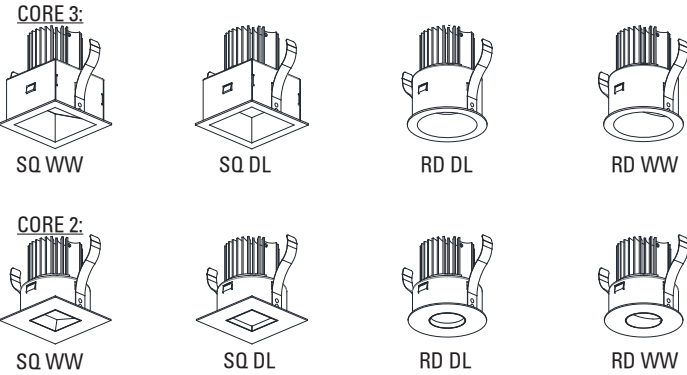


USAI CORE 2 USAI CORE 3 INSTALLATION INSTRUCTIONS Downlight & Wall Wash Trims

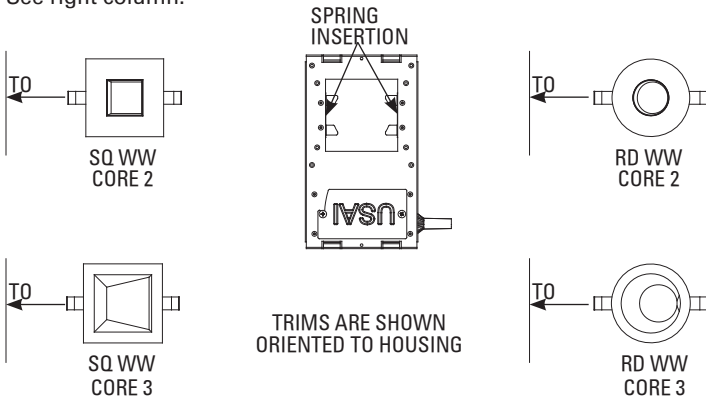
After housing is properly installed, follow the below steps to insert trims.

INSTALLATION STEPS:

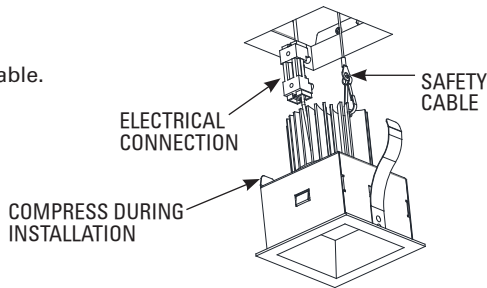
1. Unbox and identify trim to be installed.



2. Check orientation of Wall Wash. Reorient wall wash if necessary. See right column.

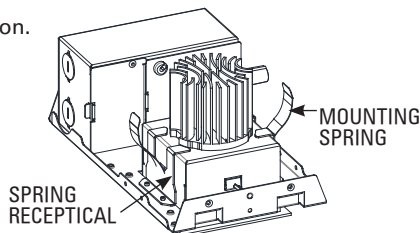


3. Attach safety cable.



4. Make electrical connection.

5. Align mounting springs with spring receptacles.



6. Compress mounting springs and insert into mounting receptacles.

7. Ensure trim is seated properly on all sides.

Trim flange should be flush with ceiling

CAUTION READ BEFORE INSTALLATION

READ CAREFULLY BEFORE INSTALLING FIXTURE. RETAIN THESE INSTRUCTIONS FOR FUTURE REFERENCE.

THIS PRODUCT MUST BE INSTALLED BY A PERSON FAMILIAR WITH THE CONSTRUCTION AND OPERATION OF THE PRODUCT AND THE HAZARDS INVOLVED, IN ACCORDANCE WITH THE APPLICABLE NEC CODE.

- Switch off main power before installation or maintaining fixture.
- Fixtures must be installed in applications where the ambient temperature does not exceed 40°C during normal operation.
- DO NOT connect or disconnect LED board wire connector when fixture is energized, as this may result in permanent damage to the LED array.
- We will not accept any warranty claims if incorrect driver or light engine is used.

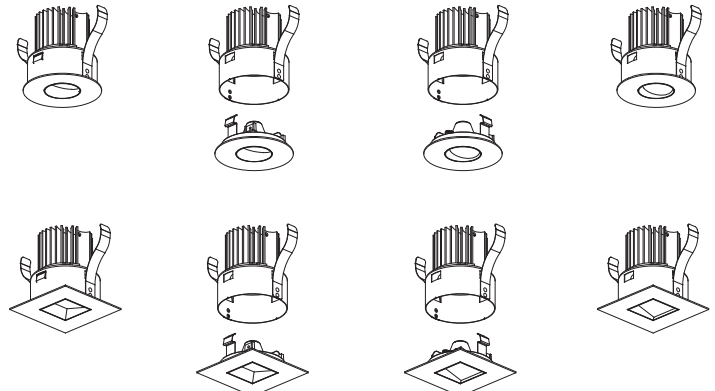
To remove trim from ceiling, follow the below steps.

CORE 2 WALL WASH TRIM REORIENTATION:

1. Compress springs in enclosure and pull lower trim out of trim assembly.

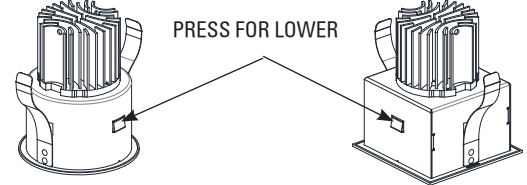


2. Insert trim in desired orientation.

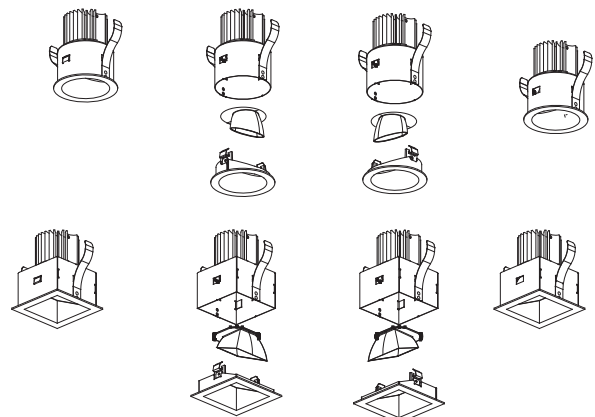


CORE 3 WALL WASH TRIM REORIENTATION:

1. Compress springs in spinning and pull lower trim out of trim assembly.



2. Pull reflector off of mount



3. Insert reflector in desired orientation.

4. Align lower trim with reflector and insert.

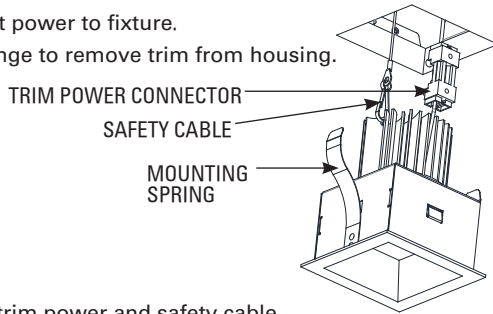
USAI CORE 2 USAI CORE 3 LED SERVICE INSTRUCTIONS NC Housing

Required tools:

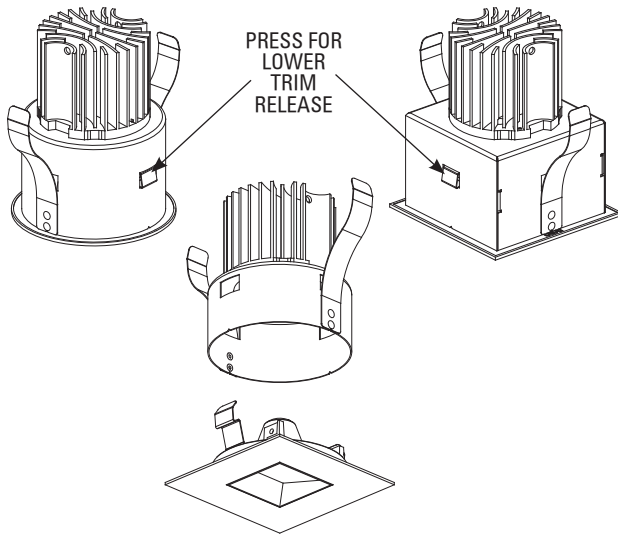
- #2 Phillips screw driver
- Razor Blade (optional)

Core 2 & Core 3 Downlight & Wall Wash:

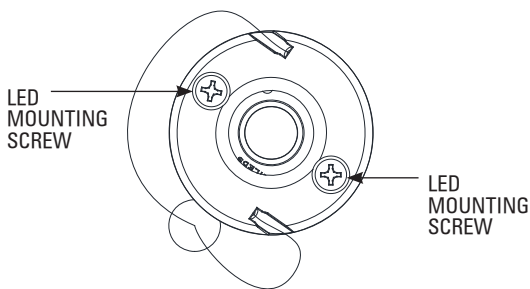
1. Disconnect power to fixture.
2. Pull on flange to remove trim from housing.



3. Disconnect trim power and safety cable.
4. Separate lower trim from light engine enclosure by pressing release springs and pulling trim flange.



5. Unscrew LED holder using a #2 Phillips screwdriver.



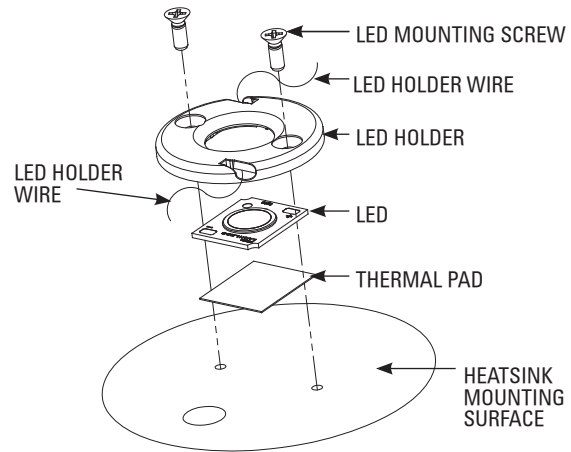
CAUTION READ BEFORE INSTALLATION

READ CAREFULLY BEFORE INSTALLING FIXTURE. RETAIN THESE INSTRUCTIONS FOR FUTURE REFERENCE.

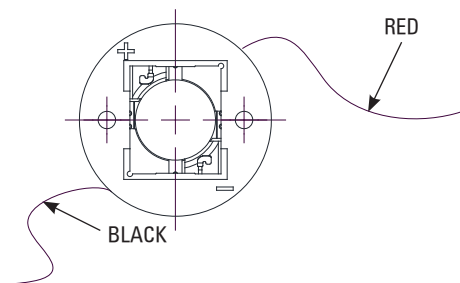
THIS PRODUCT MUST BE INSTALLED BY A PERSON FAMILIAR WITH THE CONSTRUCTION AND OPERATION OF THE PRODUCT AND THE HAZARDS INVOLVED, IN ACCORDANCE WITH THE APPLICABLE NEC CODE.

- Switch off main power before installation or maintaining fixture.
- Fixtures must be installed in applications where the ambient temperature does not exceed 40°C during normal operation.
- DO NOT connect or disconnect LED board wire connector when fixture is energized, as this may result in permanent damage to the LED array.
- We will not accept any warranty claims if incorrect driver or light engine is used.

6. Remove old LED and thermal pad. Clean heatsink mounting surface. Ensure old thermal pad is completely removed and heatsink surface is free of residue or pieces of old thermal pad. If necessary, scrape with razor blade for clean contact with heatsink surface.



CAUTION: DO NOT TOUCH YELLOW PART OF LED. CONTAMINATION CAN CAUSE OVERHEATING OF LED.



7. Install wires Red to (+), Black to (-)
8. Attach LED to heatsink with (2) LED mounting screws. Tighten screws with #2 Philips screwdriver until snug.
WARNING: DO NOT OVERTIGHTEN
9. Repeat steps 1-4 in reverse order to reinstall optic and trim.