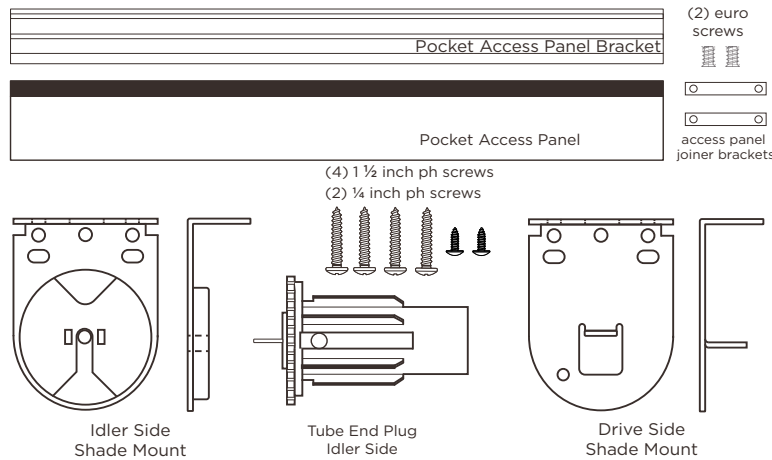




Savant® Shade Negative Reveal Pocket (SHA-C4IN, SHA-C6IN, SHA-CB34, SHA-CB5) Quick Reference Guide

The Savant Shade Negative Reveal Pocket system is designed to provide a clean transition from ceiling to shade enclosure. The systems access panels are available in eight foot lengths and in four or six inch widths. The length of the access panel and bracket can be cut in the field when shorter lengths are required. For systems that require a shade that spans longer than eight feet, access panel joiner brackets (included in kit) are available to allow two access panels to be joined together. **Note:** For lengths longer than eight feet, a shade coupler (sold separately) is required. The SHA-C4IN and SHA-C6IN kits come complete with everything shown in the box contents section below. If required shade mount kits SHA-CB34 and SHA-CB5 can be purchased separately.



Box Contents (SHA-C4IN, SHA-C6IN)

- (1) Shade Mount - Drive Side
- (1) Shade Mount - Idler Side
- (1) Shade Tube End Plug (w/shaft)
- (4) #6 x 1 1/2 inch pan head screws
- (2) #6 x 1/4 inch pan head screws
- (1) 4 or 6 inch access panel (cut to length)
- (1) 4 or 6 inch access panel mounting bracket (cut to length)
- (2) Access panel joiner brackets
- (4) flathead euro screws
- (1) Quick Reference Guide (this document)

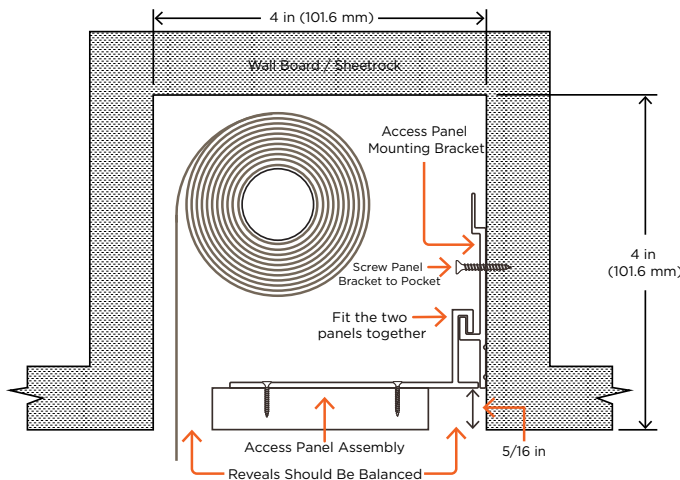
Box Contents (SHA-CB34)

The SHA-CB34 shade mount kit includes everything included in the SHA-C4IN and SHA-C6IN kits except the access panel and access panel bracket.

- (1) Shade Mount - Drive Side
- (1) Shade Mount - Idler Side
- (1) Shade Tube End Plug (w/shaft)
- (4) #6 x 1 1/2 inch pan head screws.
- (1) Quick Reference Guide (this document)

Build Pocket

Before installing the shade mounts, a pocket needs to be built into the ceiling where the shade and shade mounts will be housed. The pocket should be constructed with a solid material such as plywood or medium density fiber (MDF) board that can handle the weight of the complete shade assembly and then finished with wall board. Use the diagram below when building the pocket.



Joining two Access Panels

If the shade pocket is longer than 8 feet, two access panels must be joined together. Follow instructions below to do this:

1. Slide the two access panel joiner brackets into the slots on the end of access panel.
2. Secure the access panel joiner brackets using the two euro type screws included with the kit.
3. Slide the second access panel assembly over the access panel joiner brackets installed in steps 1 and 2.
4. Install the Access Panel Bracket into the pocket. See the **Mount Access Panel Bracket** section below.
5. Mount the complete access panel assembly onto installed access panel bracket.

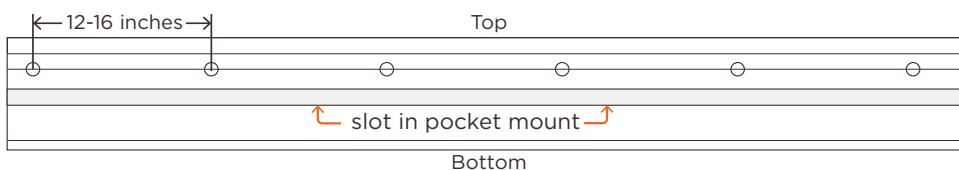
Cutting Access Panel Assembly

If an access panel assembly is cut, where the cut was made, secure the metal portion of the access panel assembly to the 1/2 inch wood access panel using the two 1/4 inch pan head self tapping screws included in the kit.

Mount Access Panel Bracket

Once the pocket is built, the Access Panel Bracket Mount can be installed. Follow instructions below to do this:

1. Lay access panel mounting bracket on a flat solid surface.
2. Start at one end of the access panel mounting bracket and drill appropriate sized holes every 12 to 18 inches along the panel. Savant recommends using a #6 or larger self tapping screw. Position screws above the pocket mount as shown in diagram below.



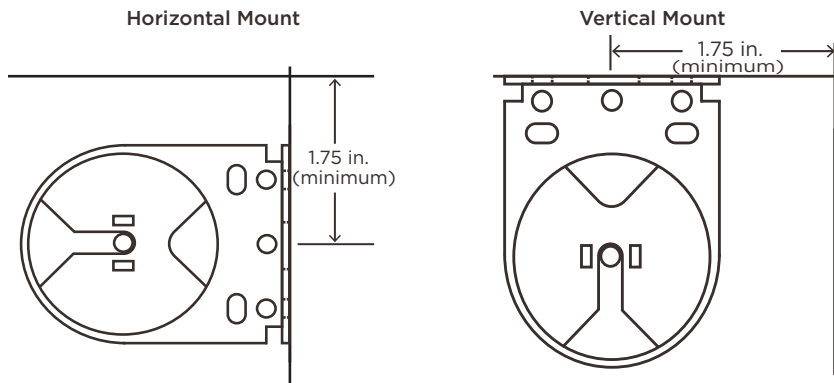
3. Screw the access panel mounting bracket into the pocket using the appropriate screws for the material the pocket is made from. The bottom of the panel should be mounted 5/16 inch above the finished ceiling. See the diagram in the Build Pocket section above. Take extra care to ensure the panel is mounted level.

Install Shade Mounts Bracket

With the pockets for the shades built and the access panel mounting bracket installed, the shade mounts can be installed.



HELPFUL! Before starting the mounting process, review the diagrams below to ensure a trouble free install.

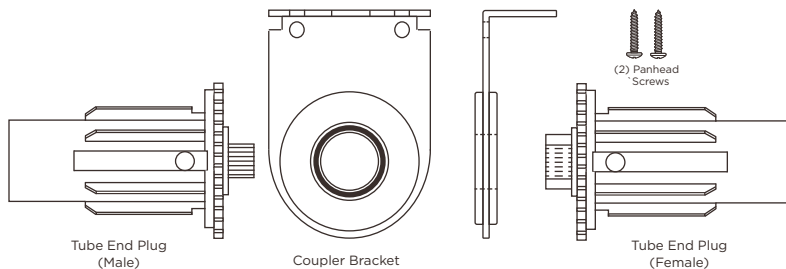


- Install shade mount so the center point of the mount is installed at least $1\frac{3}{4}$ inch (minimum) from any obstructions.
- To aid in the installation, a template (SHA-IN-STEMP-xx) is available. This template contains all the holes and spacing required to mount any of the shade mounts.
- To reduce marking up the walls, it is recommended that painters tape be used whenever drilling is involved.
- The diagram shows only the idler side mount. However, the minimum distance from any obstructions is true for the drive side mount as well.

1. Determine the location in the shade pocket where the shade mount will be mounted. Secure the mount to the wall or ceiling of the pocket using two #6 self tapping pan head screws included with the kit.
2. Using the drive side mount as a reference point, install the idler side mount using the remaining #6 self tapping pan head screws. Ensure the two shade mounts are level with each other. If the mounts are not perfectly level the shade fabric will not unroll correctly.
3. With the shade mounts installed, the aluminum tube for the shade fabric can be cut. Refer to the Shades Installation and Wiring Guide (09-1532) for length and cutting information.

Shade Mount Coupler (SHA-CB5)

Shade couplers are typically mounted at specific intervals to either distribute the weight of a shade or separate shades between windows. In a Savant shade system, the shade coupler should be installed so there is no more than 8 feet between each mount. As shown in the diagrams below, the tube end plugs slide through the hole in the center of the mount so the shades on either side of the coupler operate in sync. Before mounting a shade coupler, both the drive and idler mounts must be installed. These endpoints are used as a reference for when mounting the coupler.

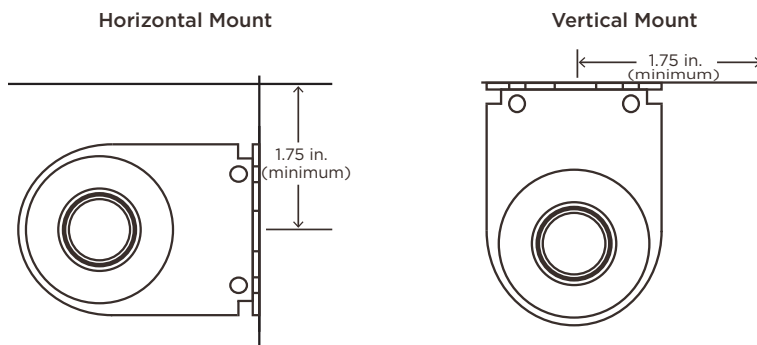


Box Contents (SHA-CB5)

- (1) Shade Coupler Bracket
- (1) Shade Tube End Plug (female)
- (1) Shade Tube End Plug (male)
- (2) #6 x $1\frac{1}{2}$ inch pan head screws.
- (1) Quick Reference Guide (this document)



HELPFUL! Prior to starting the mounting process, review the next few items below to ensure a trouble free installation



- Install coupler so the center point is installed at least $1\frac{3}{4}$ inch (minimum) from any obstructions.
- To aid in the installation, a template (SHA-IN-STEMP-xx) is available. This template contains all the holes and spacing required to mount any of the shade mounts.
- To reduce marking up the walls, painters tape is recommended whenever drilling is involved.

1. Using the drive and idler side shade mount as a reference point, determine the location in the shade pocket where the shade coupler will be mounted.
2. Secure the mount to the wall or ceiling of the pocket using the two #6 self tapping pan head screws included with the kit.
3. With the shade mounts installed, the aluminum tube for the shade fabric can be cut. Refer to the Shades Installation and Wiring Guide for length and cutting information.

Additional Documentation

Additional documentation on installing this shade mount as well as information on all phases of shade installation, is available on the **Savant Customer Community**.

- Shade Installation and Wiring Guide (009-1532)