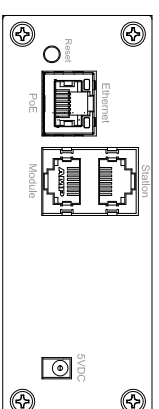
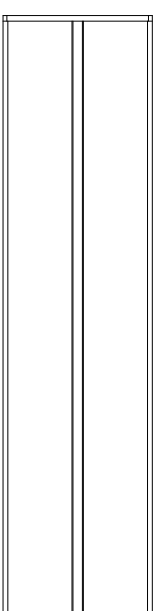
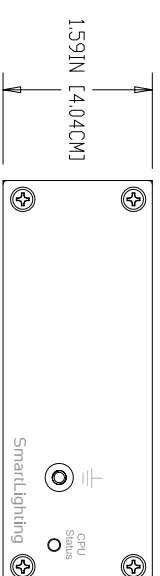
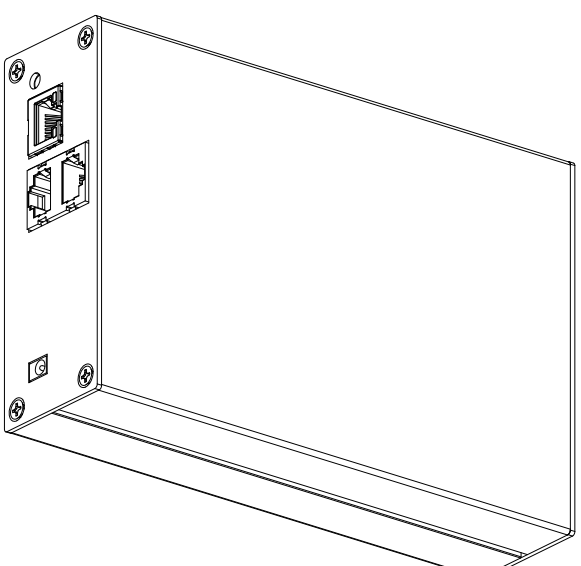
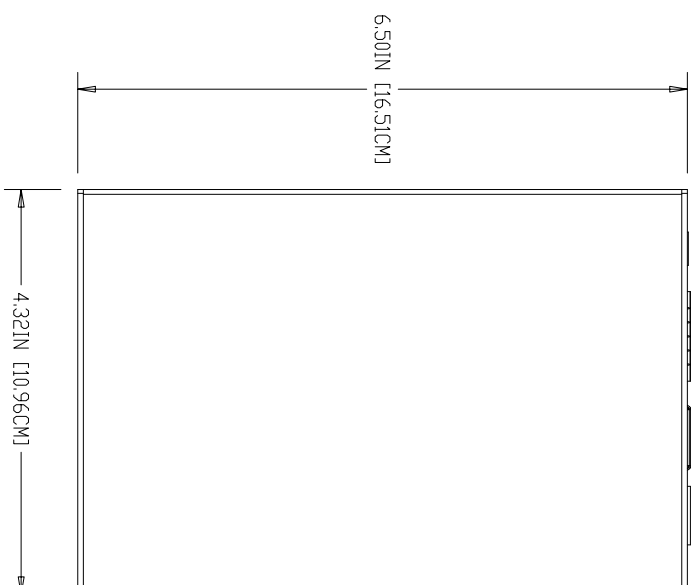


NOTE, UNLESS OTHERWISE SPECIFIED



REVISIONS						
USER	CREATOR	ZONE	REV	DESCRIPTION	DATE	BY
PJORSINI	KLACEY		00	ECD 04950	08/12	KLACEY

SCOPE/TOLERANCE DATA		TOLERANCE DATA TABLE		FINISH	
SIZE	TOLERANCE VALUE	UNLESS OTHERWISE SPECIFIED IN DRAWING AND PART OF THE FINISHED PART	UNLESS OTHERWISE SPECIFIED IN DRAWING AND PART OF THE FINISHED PART		
		1 PL	± .030	N/A	
		2 PL	± .015		
		3 PL	± .005		
		ANGLE	± 1 DEG.		
		TOLERANCE	± .002		

SAVANT SYSTEMS, LLC PROPRIETARY & CONFIDENTIAL		TITLE		45 PERSERVERANCE WAY HYANNIS, VA 02601	
SAVANT SYSTEMS, LLC PROPRIETARY & CONFIDENTIAL		DRAWING NO		086-0196-00	
SAVANT SYSTEMS, LLC PROPRIETARY & CONFIDENTIAL		REV		00	
SAVANT SYSTEMS, LLC PROPRIETARY & CONFIDENTIAL		SCALE		1" = 1"	
SAVANT SYSTEMS, LLC PROPRIETARY & CONFIDENTIAL		SHEET		1 OF 1	

8 7 6 5 4 3 2 1