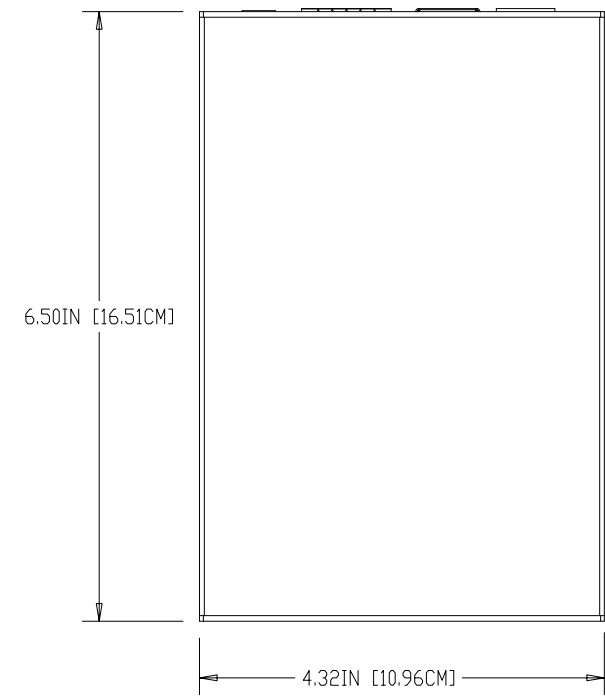


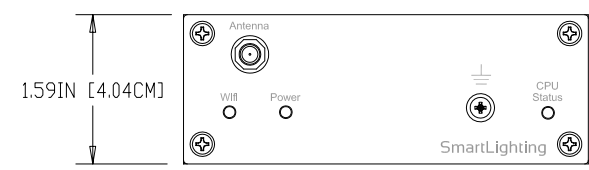
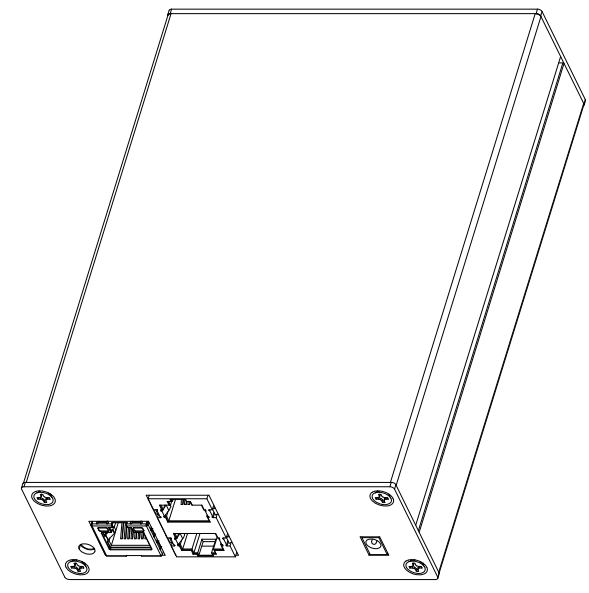
8 7 6 5 4 3 2 1

REVISIONS						
USER	CREATOR	ZONE	REV	DESCRIPTION	DATE	BY
P.CORSINI	K.LACEY		00	ECD 05918	06/13	K.LACEY

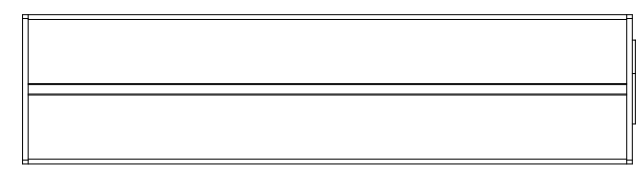
NOTE, UNLESS OTHERWISE SPECIFIED



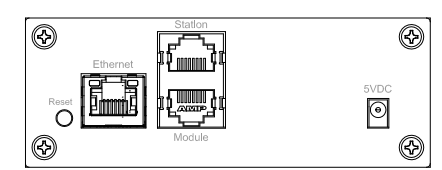
TOP



FRONT



SIDE



BACK

8 7 6 5 4 3 2 1

SCREW TORQUE DATA		TOLERANCE DATA TABLE		FINISH:	SAVANT SYSTEMS LLC		SAVANT		45 PERSEVERANCE WAY			
SIZE	TORQUE VALUE	UNLESS OTHERWISE SPECIFIED IN DRAWING DIMENSIONS AND TOLERANCES ARE IN INCHES AND APPLY TO THE FINISHED PART.			PROPRIETARY & CONFIDENTIAL		TITLE		HYANNIS, MA 02601			
		1 PL	± .030	N/A	DESIGNER	K.LACEY	06/13	OUTLINE DRAWING SSL-W002				
		2 PL	± .015									
		3 PL	± .005									
		ANGLE		± 1 DEG.	DRAWN	K.LACEY	06/13	SIZE	D	CAGE CODE	DWG NO	REV
		TORQUE		± 10%								